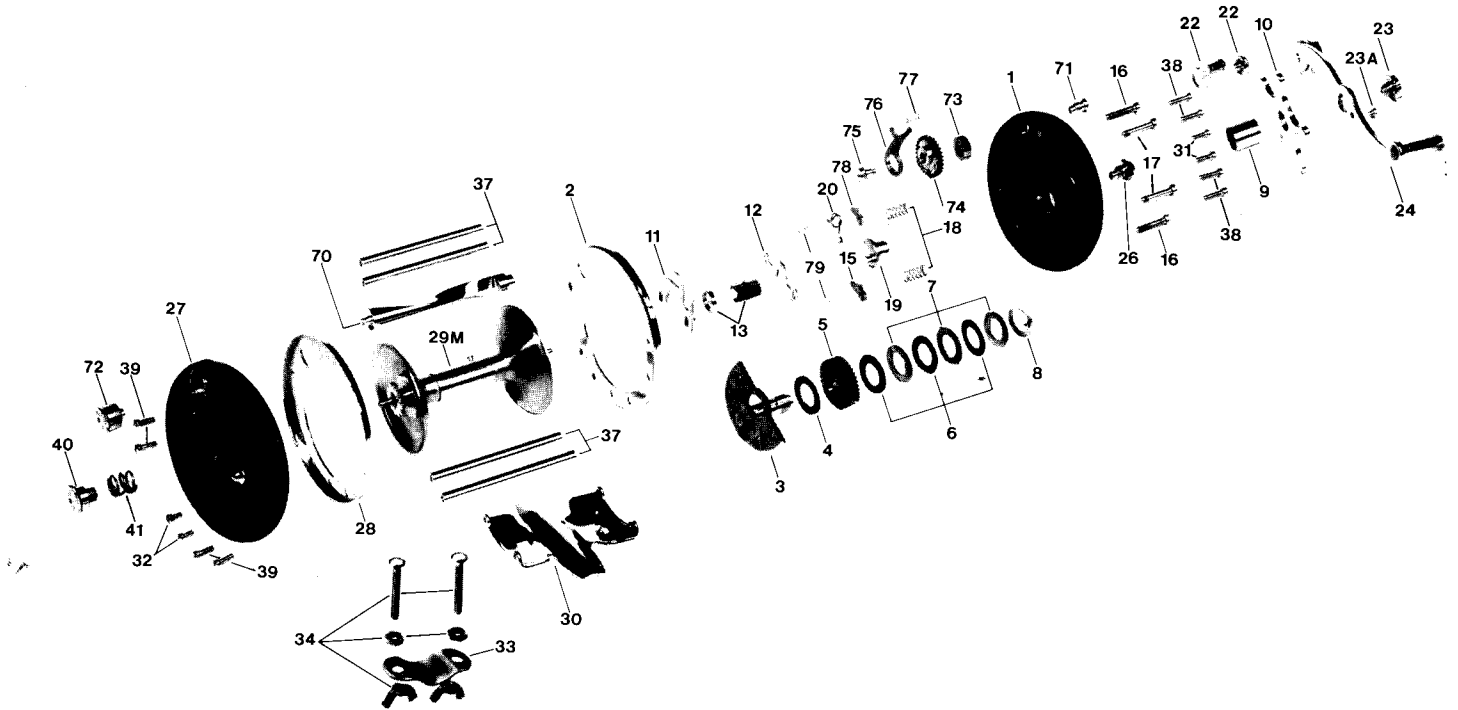




PARTS AND PRICE LIST FOR MODEL 350M LEVELINE



Key No.	Part No.	Description	Price
1	1-350	Right Side Plate	\$4.20
2	2-350	Right Side Ring	2.90
3	3-155	Bridge w/Sleeve	3.65
4	4-155	Fiber Washer	.35
5	5-155	Main Gear	2.00
6	6-155	Drag Washer (3 req.)	.50
7	7-155	Metal Washer Set	2.15
8	8-60	Tension Spring	.45
9	9-60	Spacing Sleeve	.75
10	10-60	Star Drag Wheel	2.10
11	11-155	Eccentric Jack	.95
12	12-155	Pinion Yoke	.75
13	13-200	Pinion	2.65
14	14-99	Dog Spring	.35
15	15-209	Dog	.75
16	16-60	Lower Bridge Screw	.35
17	17-60	Upper Bridge Screw	.35
18	18-60	Clutch Spring	.35
19	19N-350	Eccentric	1.55
20	20-155	Eccentric Spring	.35
21	21-285	Eccentric Lever	1.30
22	22-99	Eccentric Screw	1.30
23	23-60	Handle Screw	1.45
23A	110-60	Handle Lock Screw	.35
24	24-155	Handle	5.10

Key No.	Part No.	Description	Price
26	26-155	Right Side Bearing	\$ 1.55
27	27-350	Left Side Plate	5.10
28	28-350	Left Side Ring	2.90
29M	29M-200	Spool	14.35
30	30-200	Stand	4.55
31	32-16	Right Side Stand Screw	.35
32	32-14	Left Side Stand Screw	.35
33	33-200	Rod Clamp	3.25
*33R	33R-200	Ringed Rod Clamp	4.80
34	34-200	Rod Clamp Screw	1.20
37	37-67	Post	1.35
38	39-5	Right Side Post Screw	.35
39	39-4	Left Side Post Screw	.35
40	40-60	Left Side Bearing	1.90
41	41-60	Bearing Spring	.70
70	70-350	Spiral Bar	9.95
71	43-109	Right Side Spiral Bearing	1.35
72	72-350	Left Side Spiral Bearing	2.30
73	73-350	Spiral Gear	3.10
74	74-350	Cam Gear	3.35
75	75-350	Cam Gear Screw	.70
76	76-350	Spiral Drive Dog	1.45
77	14-109	Spiral Drive Dog Spring	.35
78	78-350	Spiral Gear Dog	.75
79	14-99	Spiral Gear Dog Spring	.35

*Not Shown